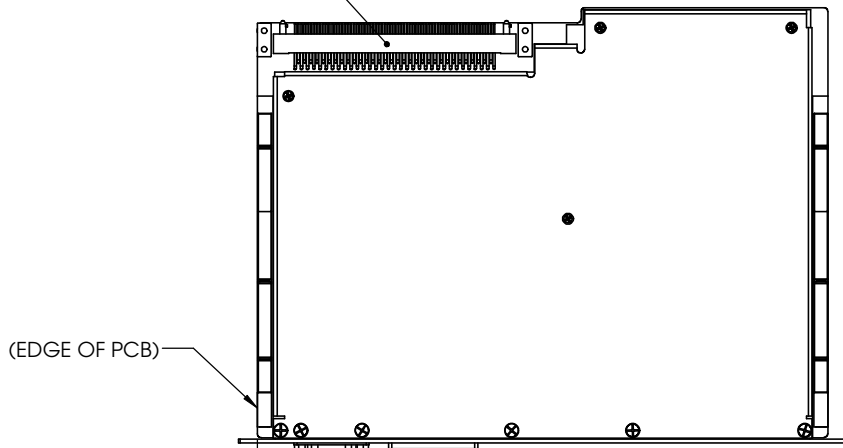


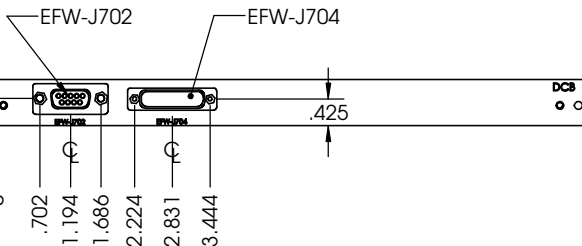
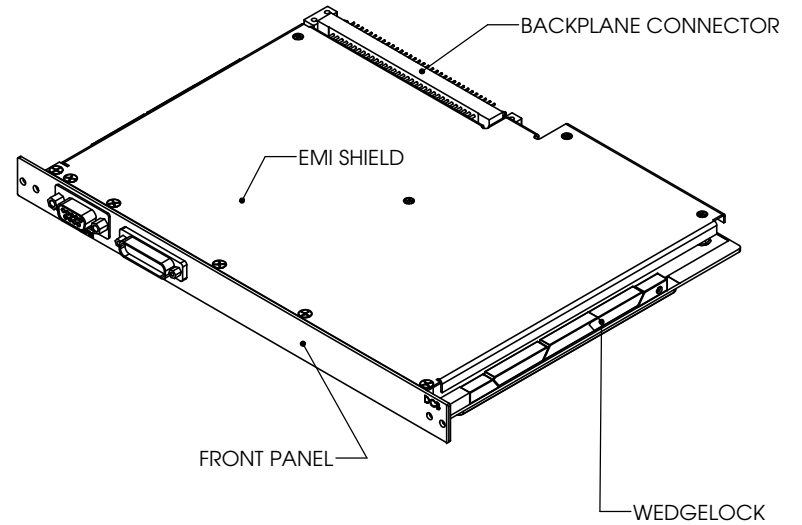
8 7 6 5 4 3 2 1

BACKPLANE CONNECTOR
HYPERTRONICS
KA98/127CEMC10BTH



VIEW LOOKING
DOWN AT EMI SHIELD
(COMPONENTS SIDE OF PCB)

REVISIONS		
REV.	DESCRIPTION	DATE
C	See Sheet1	-
D	SEE SHEET 1	
E	CHANGED BACKPLANE CONNECTOR (KA98 WAS DIN96)	31.MARCH.2009
F	SEE SHEET 1	12.JUNE.2009



EDGE OF PCB
(SAME ZERO LOCATION
AS DIMS ON SH. 1)

VIEW LOOKING AT FRONT PLATE OF COMPLETED ASSY

8 7 6 5 4 3 2 1

SIZE B	DWG. NO. RBSP-IDP-MEC-011	REV F
SCALE: 1:2	WEIGHT:	SHEET 2 OF 2